

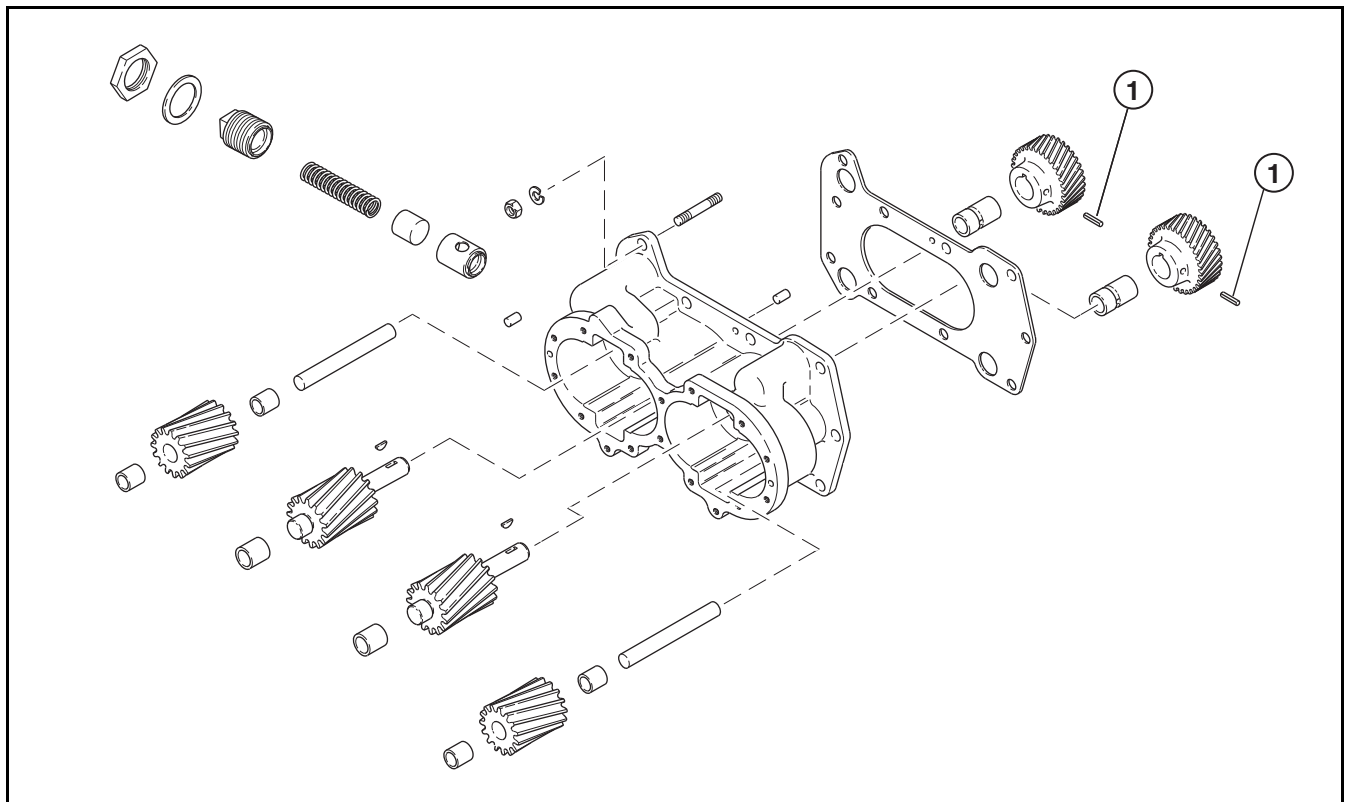
**TOPIC:** Lubrication System  
**IDENT NO:** 12-4134  
**DATE:** October 2020  
**SUPERSEDES:** New

# VHP\*

**SUBJECT:** Oil Pumps

**MODELS AFFECTED:** VHP 6- and 12-Cylinder Engines

The purpose of this bulletin is to inform the field that a change was made to the oil pump, P/N CA200380, used on VHP 6- and 12-cylinder engines. Oil pumps with P/N CA200380 and newer no longer require the gear locating roll pins since the gear has been pressed on the shaft (see Figure 1).



**Figure 1. Oil Pump with Gear Pressed on the Shaft**

**1** - Roll Pin

\* Trademark of INNIO Waukesha Gas Engines, Inc.  
All other trademarks are the property of their respective owners.